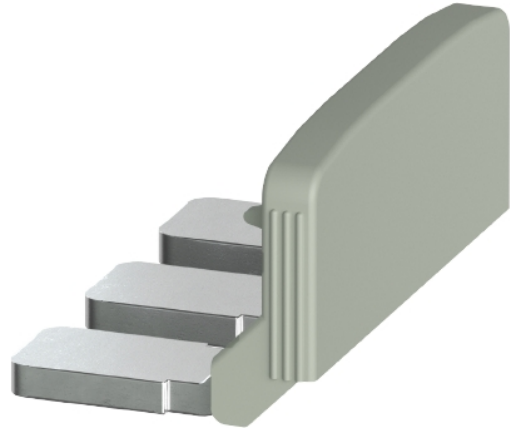


Data sheet

Commercial Art.No.: 0D.S95.3327.0

insert bridge IVB WTN 95-3 IN

insert bridge IVB WTN 95-3 IN modular spacing 25 mm, insulated yes, number of poles 3, color grey, height 34.2 mm, mounting method screwable, inflammability class of insulation material acc. with ul94 V0



| | |
|--------------------|---------------|
| Commercial Art.No. | 0D.S95.3327.0 |
| EAN | 4049088724176 |
| Order Unit | 50 |

Technical data

general

| | |
|--|-----------------|
| color | grey |
| inflammability class of insulation material acc. with UL94 | V0 |
| width/grid dimension | 69 mm |
| length | 39.5 mm |
| modular spacing | 25 mm |
| number of bridged clamps | 3 |
| mounting method | screwable |
| insulated | yes |
| model | cross connector |
| height | 34.2 mm |

classification

| | |
|----------|----------|
| ETIM 9.0 | EC000489 |
|----------|----------|

product compliance

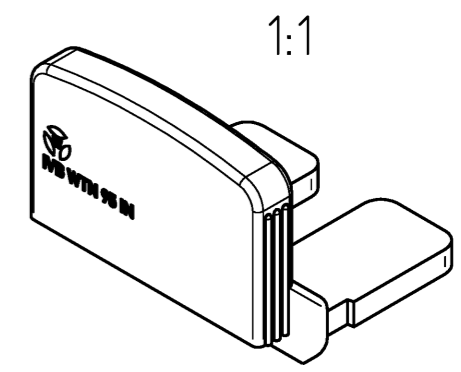
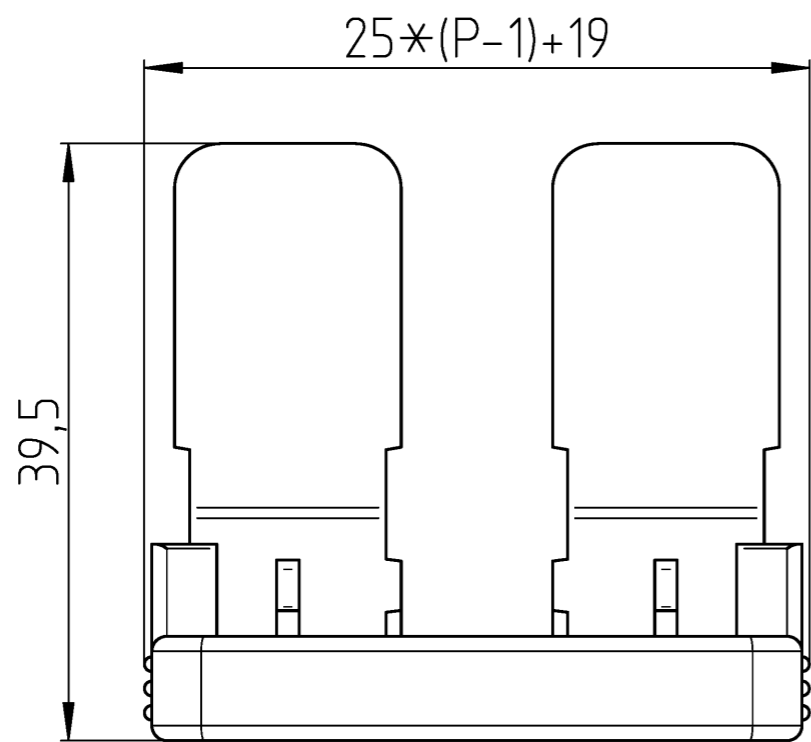
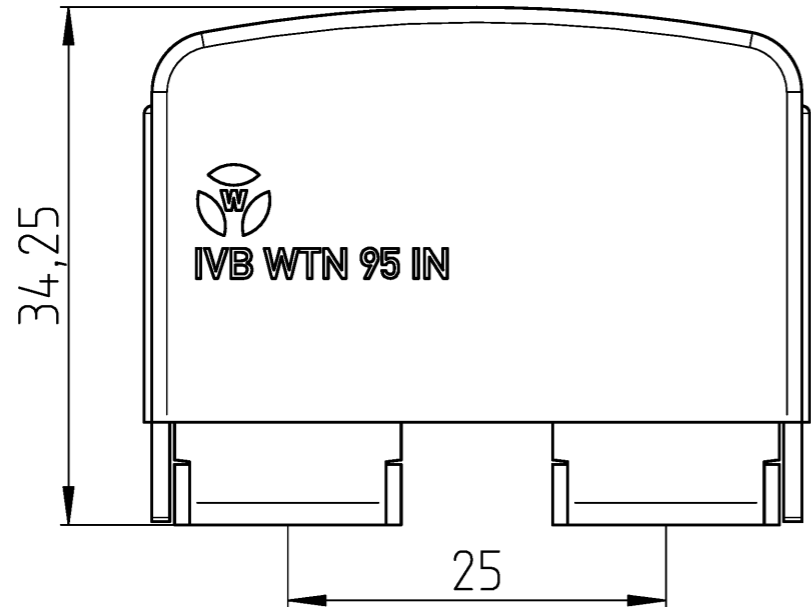
| | |
|------------------------------|-----------|
| REACH-SVHC conformity status | compliant |
|------------------------------|-----------|

Alle Rechte vorbehalten
 All rights reserved
 Vertraulichkeitsklasse
 Confidentiality Class: Vertraulich
 Confidential

These dimensions will be especially checked at delivery
 Only inspection dimensions
 With /E marked dimensions are only valid for internal use

Diese Maße werden bei Abnahme besonders geprüft
 Ausschließlich Prüfmaße
 Mit /E gekennzeichnete Maße sind nur für interne Zwecke gültig

Bestell-Nr. /order no.
 Polzahl P /number of poles P
 Typ /type
 Farbe /colour
 VPE: packaging unit:



Weitere Daten siehe KATALOG oder eKatalog
 additional data see CATALOG or eCATALOG
www.wieland-electric.com
eshop.wieland-electric.com

| | | | |
|---|--|---|-------------|
| Tolerierung Size ISO 14405 © / Tolerance system Size ISO 14405 ©. (This ISO-standard describes the envelope principle. According to the envelope principle the deviations of form and parallelism are limited by the size tolerances). | | ja/yes <input checked="" type="checkbox"/> Stoffverbots- und Deklarationsliste nach WN 5020.010 ist einzuhalten. Conformity with Wieland document WN 5020.010 e (list of prohibited / declarable hazardous substances) to be declared! | |
| Freitoleranz nach General tolerance | | CAD - Zeichnung, keine manuellen Änderungen CAD - drawing, no manual modifications allowed | |
| 1. Verwendung: First Use: | | Blatt: 1 von 1 Sheet: 1 of 1 | |
| Werkstoff / Material | | Tag/Date | Name |
| Maßstab / Scale | | gezeichnet drawn | Eichhorn N. |
| 2:1 | | Elektronische Freigabe Electronic Release | |
| Vol. mm ³ / Of./Srf. mm ² | | Ersatz für / Replacement for: | |
| Index Datum / Blatt Date / Sheet | | Benennung/Title | |
| Änderung / Revision | | Type | |
| wieland | | EINLEGEBRUECKE connection plug | |
| Zeichnung Nr. / Drawing No. | | T 0D.S95.3227.0 13K | |
| Maße in mm / Dimensions are in mm | | | |

| Bestell-Nr. /order no. | Polzahl P /number of poles P | Typ /type | Farbe /colour | VPE: packaging unit: |
|------------------------|------------------------------|-----------------|---------------|----------------------|
| 0D.S95.3227.0 | 2 | IVB WTN 95-2 IN | grau / grey | 100 |
| 0D.S95.3327.0 | 3 | IVB WTN 95-3 IN | grau / grey | 50 |